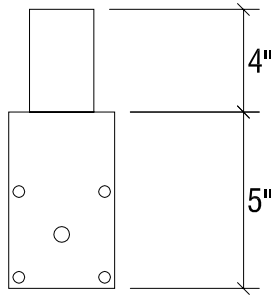
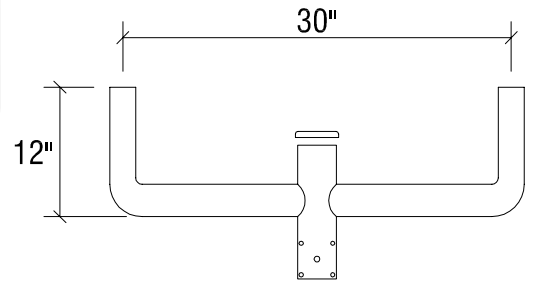
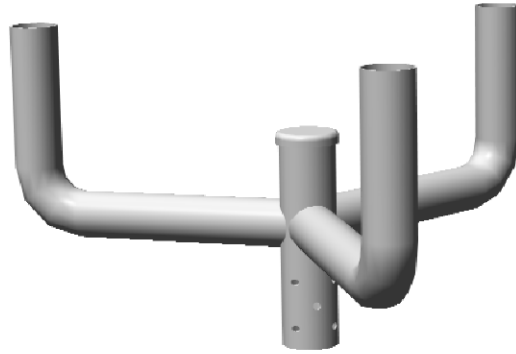


# BULLHORN

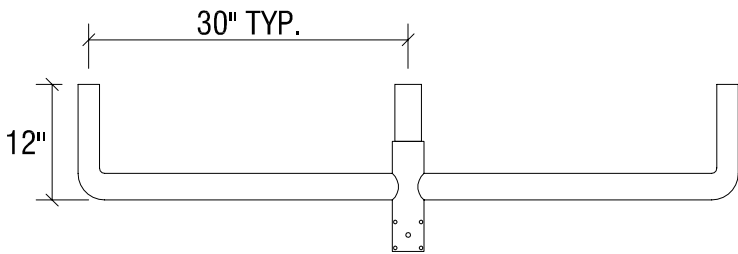
## b r a c k e t s



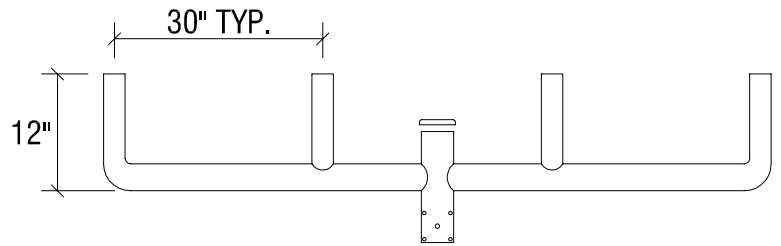
PA1



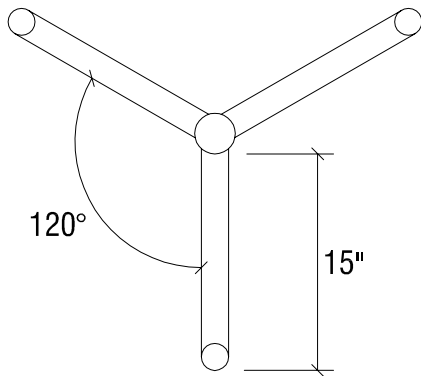
PA2



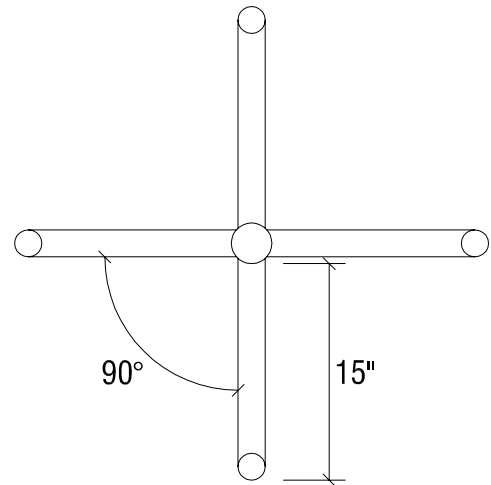
PA3-180



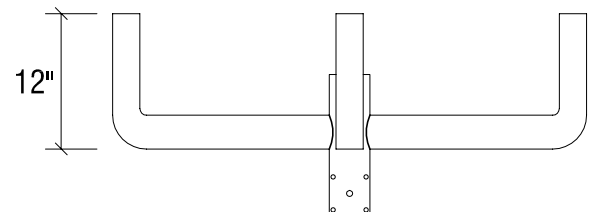
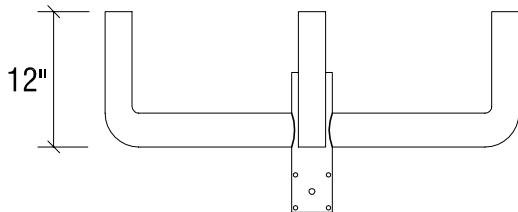
PA4-180



PA3-120



PA4-90



**DYNAPOLE**

www.dynapole.com

2425 Lucknow Drive, Mississauga ON L5S 1H1 Canada

Tel. (905) 671-1507 Fax (905) 671-4606 Toll-Free 1-877-DYNAPOLE

DRAWING TITLE:

**BULLHORN BRACKETS**

NOTES:

MODEL:

**BB**

DRAWN BY:

**CGT**

DATE:

**06/28/04**

SCALE:

**NTS**