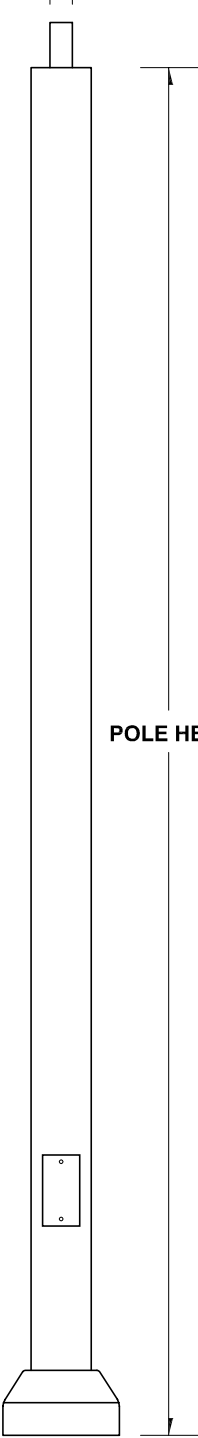


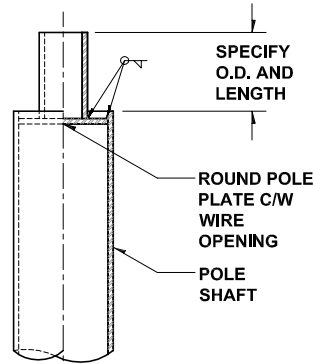
## TECHNICAL DETAILS

TENON

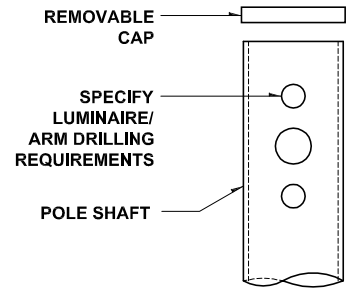


ELEVATION

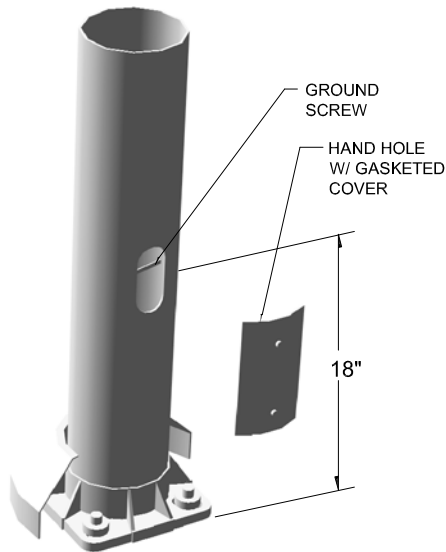
### POLE TOP FINISHING OPTIONS



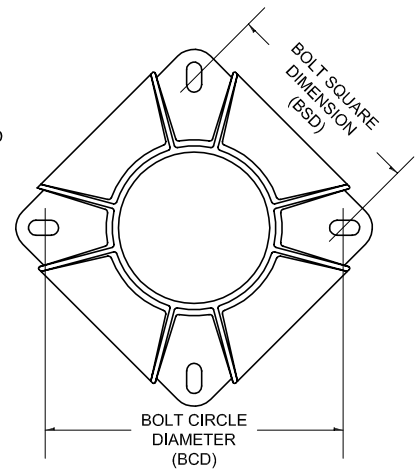
TENON DETAIL



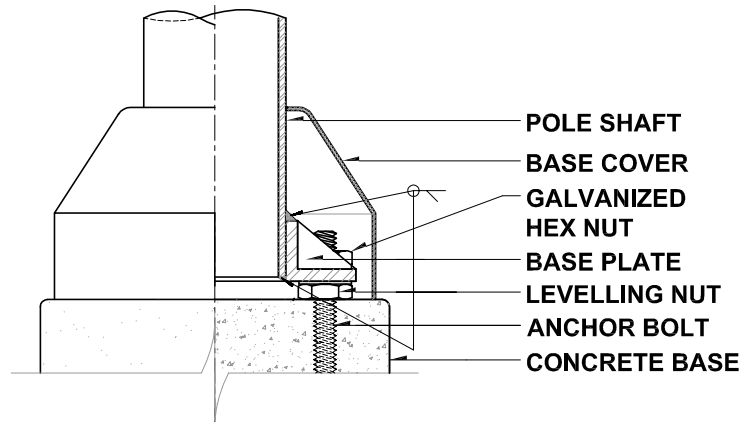
DRILLING DETAIL



BASE DETAIL



BASE PLATE DETAIL



BASE PLATE WELD DETAIL



# DYNAPOLE

www.dynapole.com

2425 Lucknow Drive, Mississauga ON L5S 1H1 Canada

Tel. (905) 671-1507 Fax (905) 671-4606 Toll-Free 1-877-DYNAPOLE

DRAWING TITLE:

STRAIGHT ROUND ALUMINUM

NOTES: MATERIAL: ALUMINUM  
SHAFT: 6063-T6  
BASE PLATE: 356.0-T6

MODEL:

SRA

DRAWN BY:

CGT

DATE:

06/28/04

SCALE:

NTS