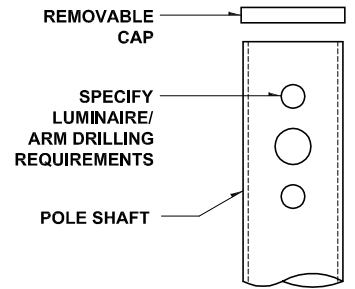
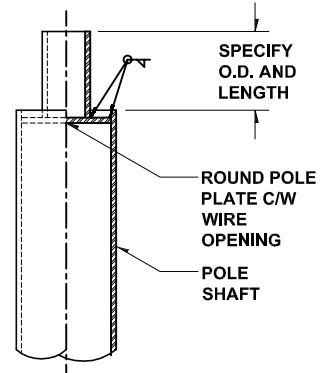
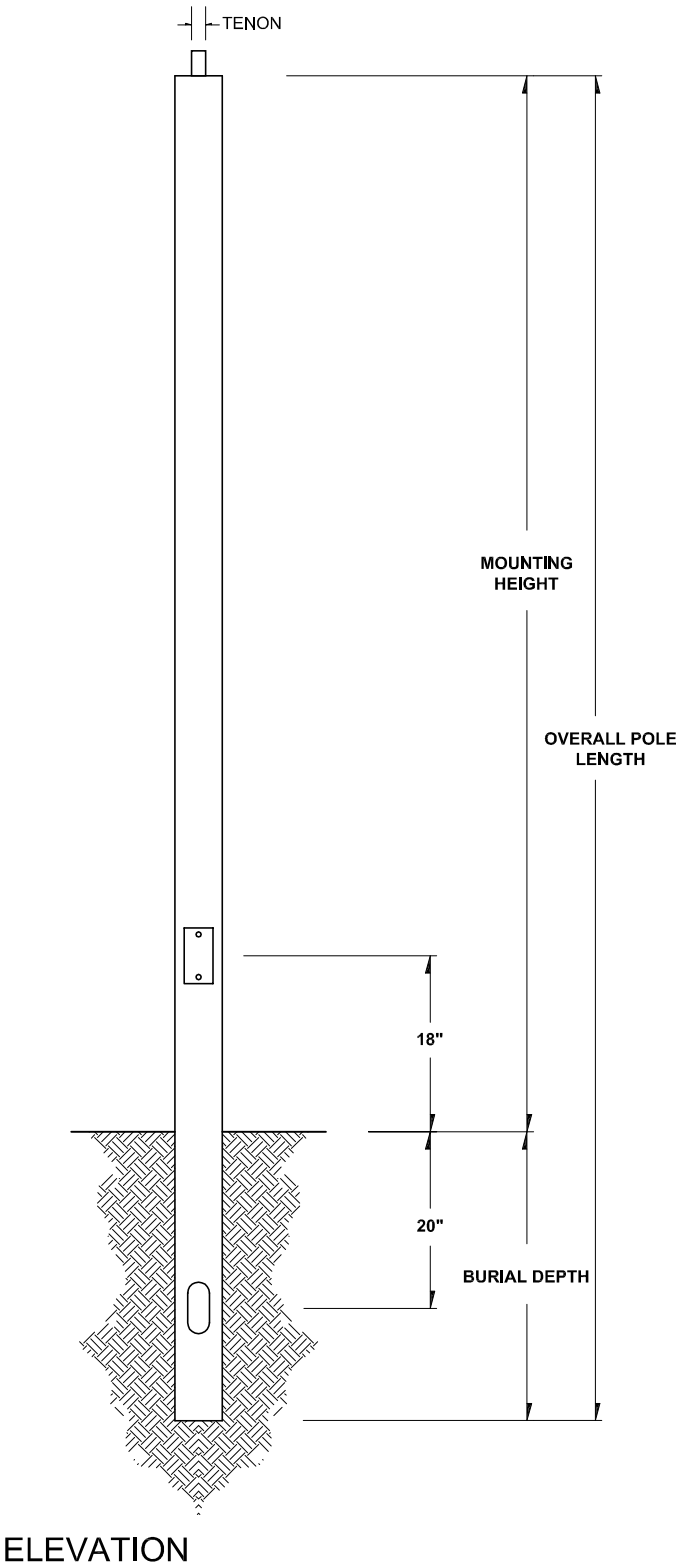
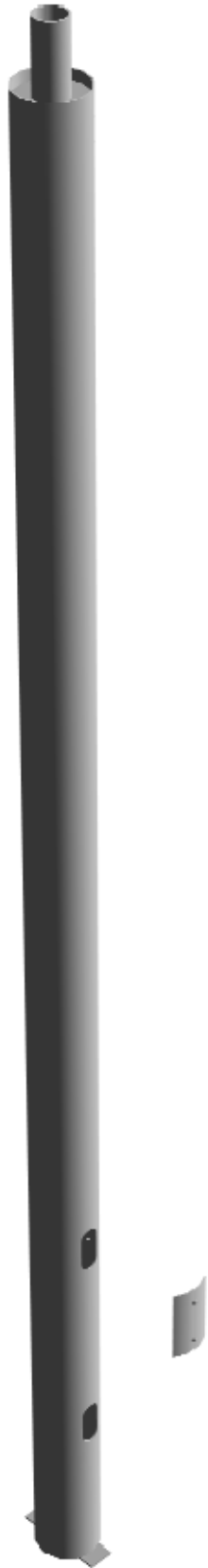


SRS-DB series

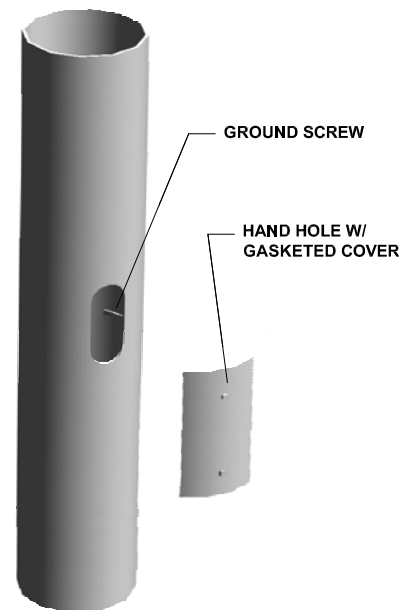
straight round steel

TECHNICAL DETAILS

POLE TOP FINISHING OPTIONS



DRILLING DETAIL



DYNAPOLE

www.dynapole.com

2425 Lucknow Drive, Mississauga ON L5S 1H1 Canada

Tel. (905) 671-1507 Fax (905) 671-4606 Toll-Free 1-877-DYNAPOLE

DRAWING TITLE:

**STRAIGHT ROUND STEEL
DIRECT BURIAL**

NOTES: MATERIAL: STEEL
SHAFT: 50 000 PSI MIN. YIELD

MODEL:

SRS-DB

DRAWN BY:

CGT

DATE:

06/28/04

SCALE:

NTS