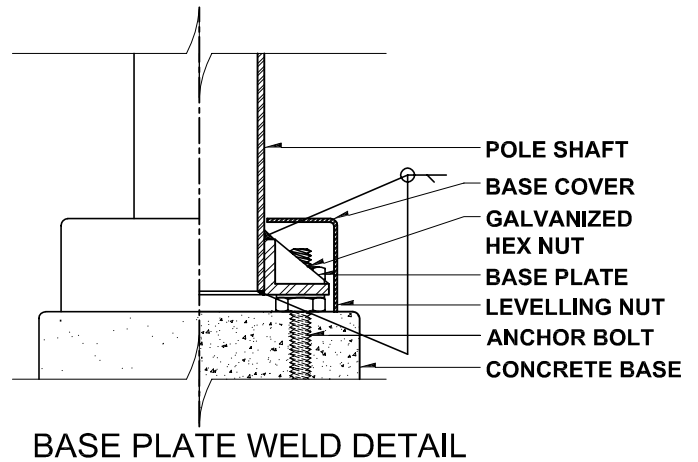
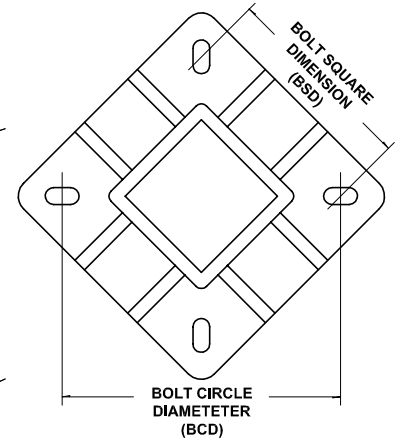
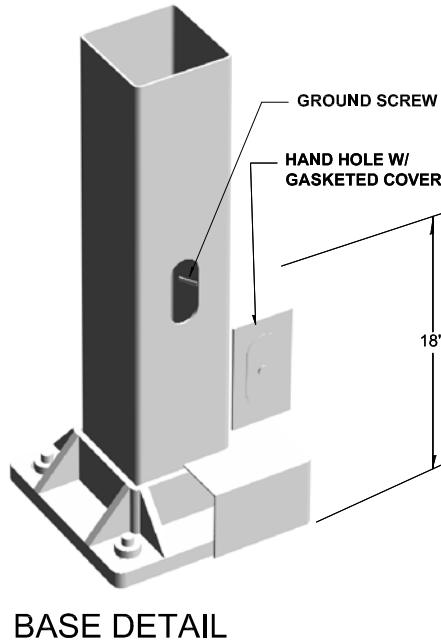
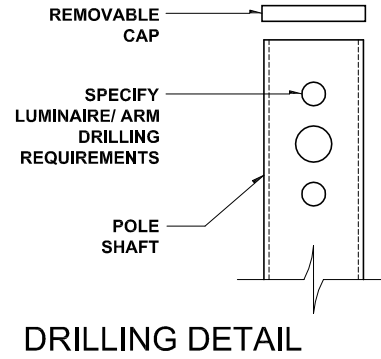
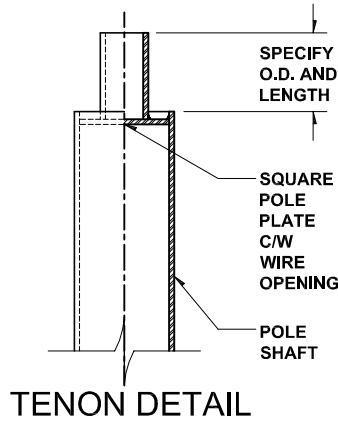
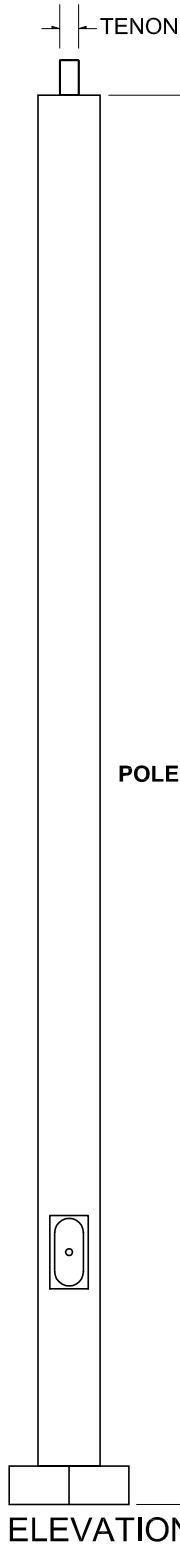
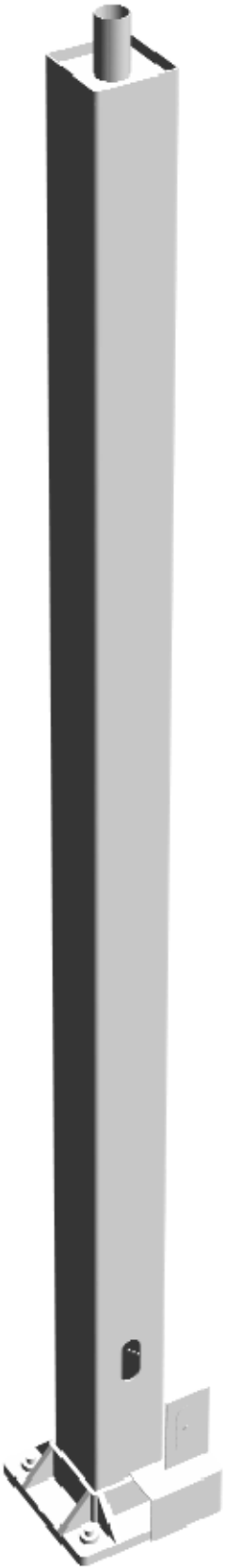


SSA series

straight square aluminum

TECHNICAL DETAILS

POLE TOP FINISHING OPTIONS



DYNAPOLE

www.dynapole.com

2425 Lucknow Drive, Mississauga ON L5S 1H1 Canada

Tel. (905) 671-1507 Fax (905) 671-4606 Toll-Free 1-877-DYNAPOLE

DRAWING TITLE:

STRAIGHT SQUARE ALUMINUM

NOTES: MATERIAL: ALUMINUM
SHAFT: 6063-T6
BASE PLATE: 356.0-T6

MODEL:

SSA

DRAWN BY:

CGT

DATE:

06/28/04

SCALE:

NTS