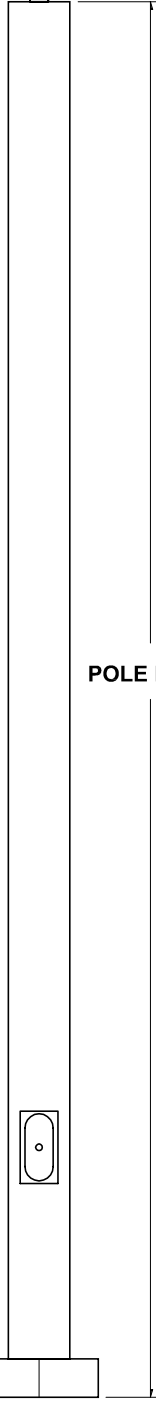


## TECHNICAL DETAILS

### POLE TOP FINISHING OPTIONS

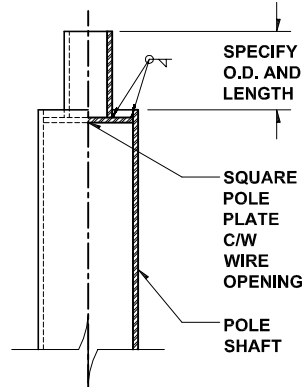


TENON



ELEVATION

POLE HEIGHT

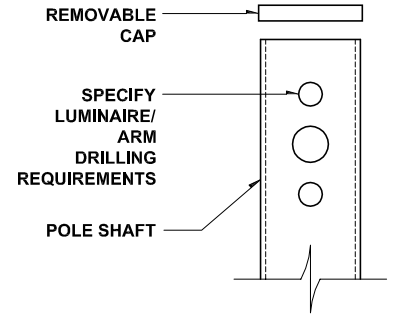


TENON DETAIL

SPECIFY O.D. AND LENGTH

SQUARE POLE PLATE C/W WIRE OPENING

POLE SHAFT

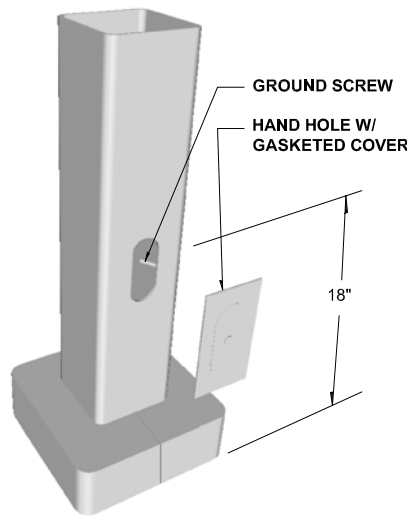


DRILLING DETAIL

REMOVABLE CAP

SPECIFY LUMINAIRE/ ARM DRILLING REQUIREMENTS

POLE SHAFT

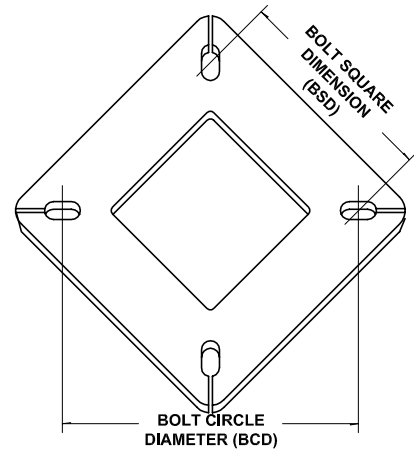


BASE DETAIL

GROUND SCREW

HAND HOLE W/ GASKETED COVER

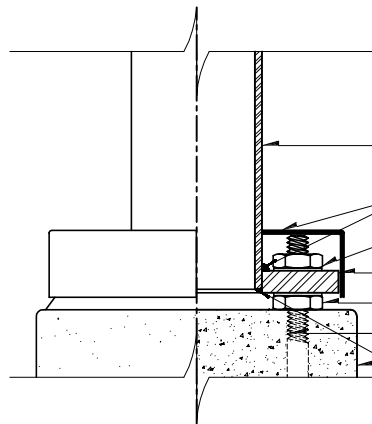
18"



BASE PLATE DETAIL

BOLT SQUARE DIMENSION (BSD)

BOLT CIRCLE DIAMETER (BCD)



BASE PLATE WELD DETAIL

POLE SHAFT  
BASE COVER  
GALVANIZED HEX NUT  
BASE PLATE  
LEVELLING NUT  
ANCHOR BOLT  
CONCRETE BASE



# DYNAPOLE

www.dynapole.com

2425 Lucknow Drive, Mississauga ON L5S 1H1 Canada

Tel. (905) 671-1507 Fax (905) 671-4606 Toll-Free 1-877-DYNAPOLE

DRAWING TITLE:

STRAIGHT SQUARE STEEL

MODEL:

SSS

DRAWN BY:

CGT

DATE:

06/28/04

SCALE:

NTS

NOTES: MATERIAL: STEEL  
SHAFT: 50 000 PSI MIN. YIELD  
BASE PLATE: 44 000 PSI MIN. YIELD