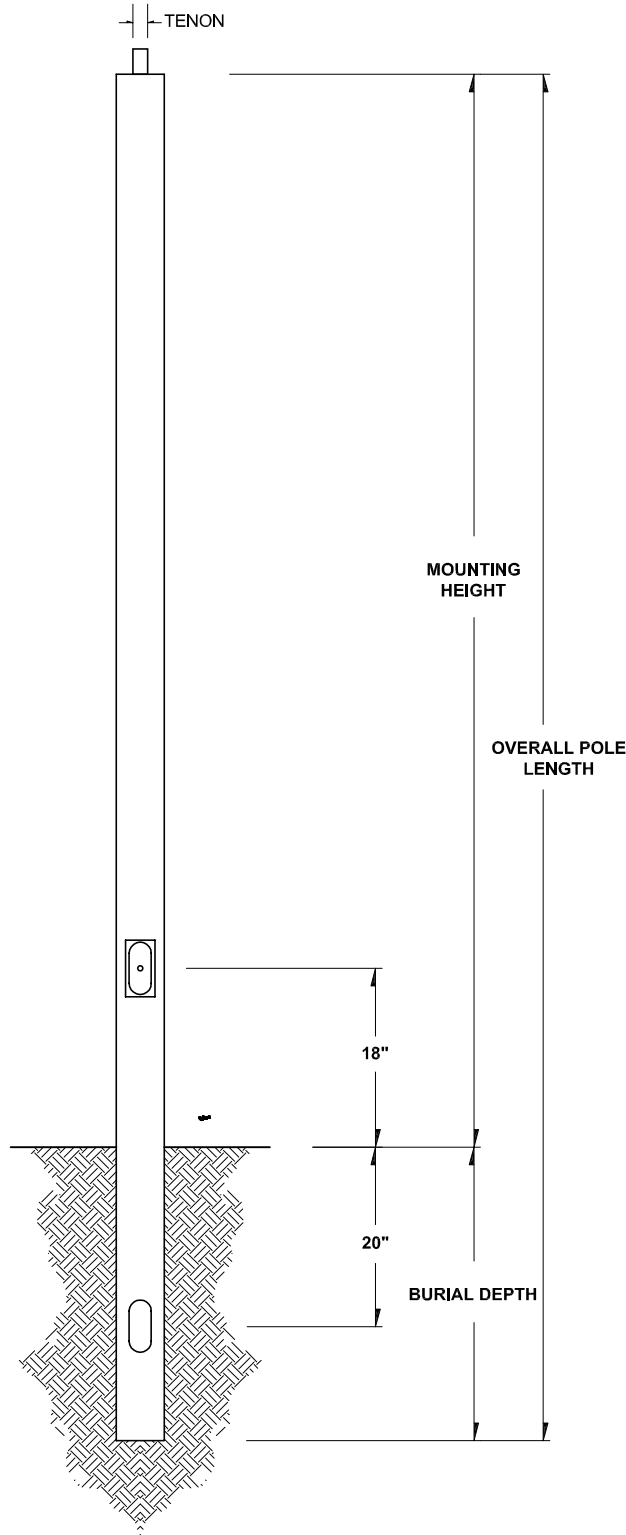
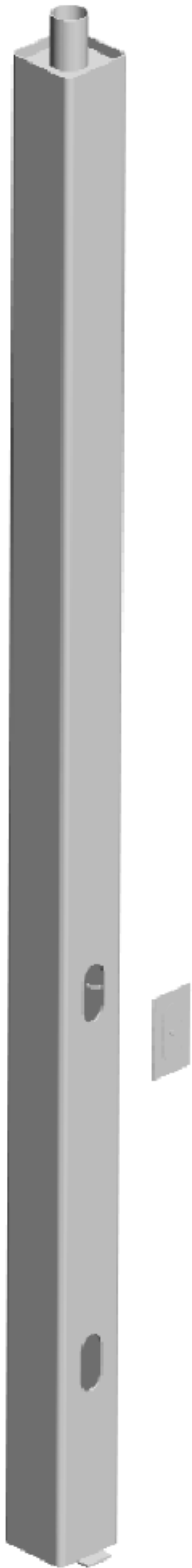


SSS-DB series

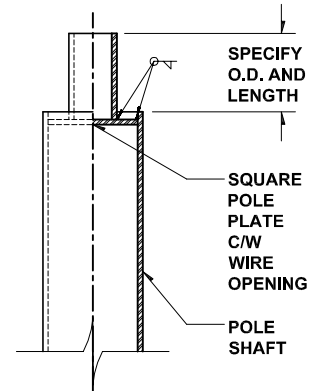
straight square steel

TECHNICAL DETAILS

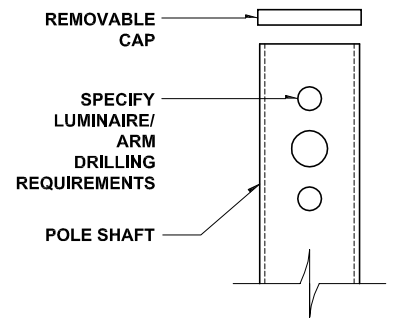
POLE TOP FINISHING OPTIONS



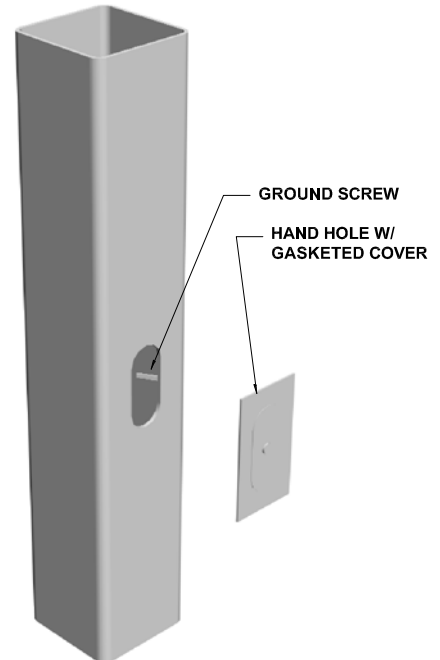
ELEVATION



TENON DETAIL



DRILLING DETAIL



HAND HOLE DETAIL



DYNAPOLE

www.dynapole.com

2425 Lucknow Drive, Mississauga ON L5S 1H1 Canada

Tel. (905) 671-1507 Fax (905) 671-4606 Toll-Free 1-877-DYNAPOLE

DRAWING TITLE:

**STRAIGHT SQUARE STEEL
DIRECT BURIAL**

NOTES: MATERIAL: STEEL
SHAFT: 50 000 PSI MIN. YIELD

MODEL:

SSS-DB

DRAWN BY:

CGT

DATE:

06/28/04

SCALE:

NTS