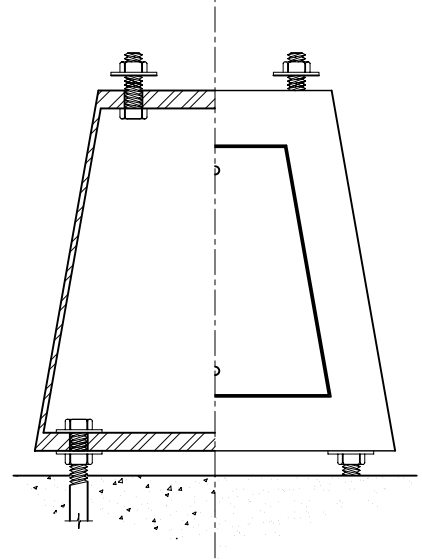
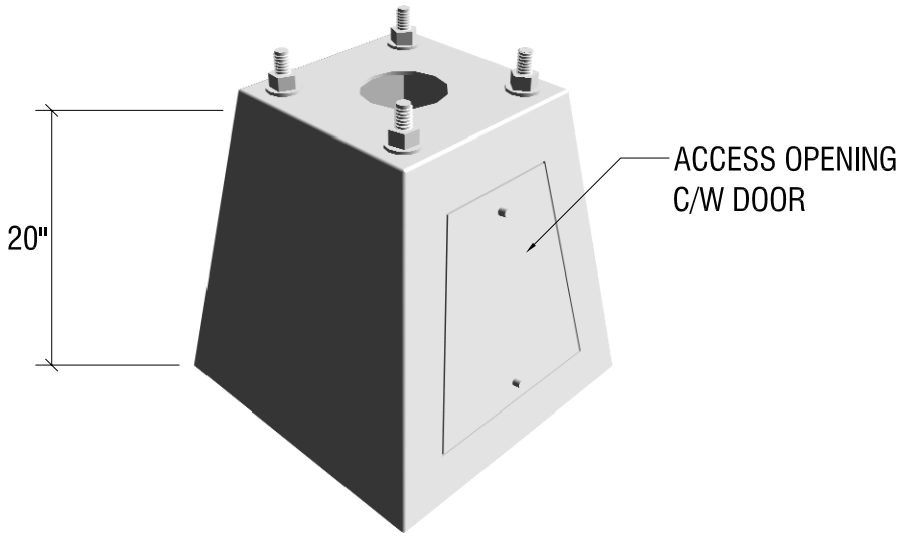
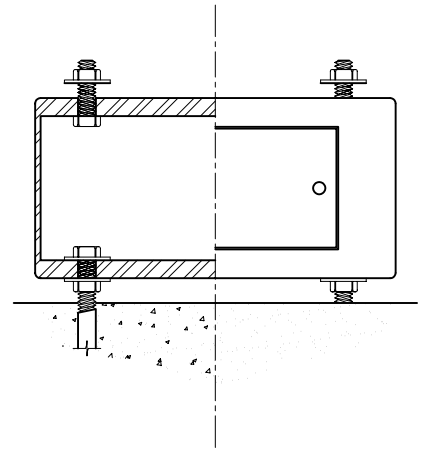
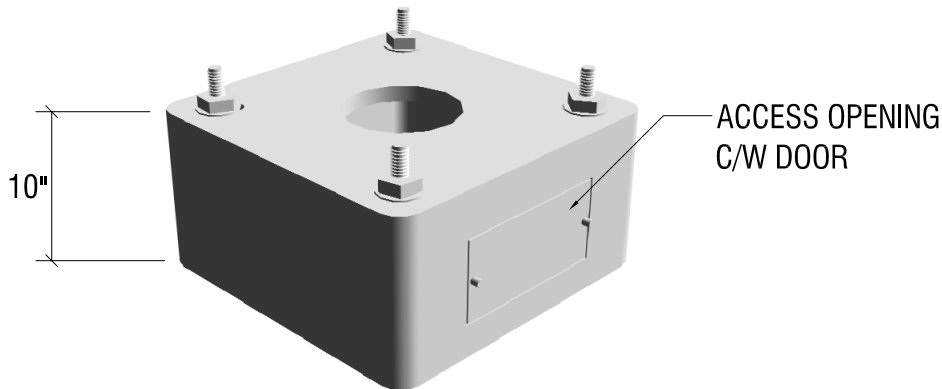


# TRANSFORMER

## b a s e s



POLE TRANSFORMER BASE



POLE PEDESTAL ADAPTER



# DYNAPOLE

[www.dynapole.com](http://www.dynapole.com)

2425 Lucknow Drive, Mississauga ON L5S 1H1 Canada

Tel. (905) 671-1507 Fax (905) 671-4606 Toll-Free 1-877-DYNAPOLE

DRAWING TITLE:

TRANSFORMER BASES

NOTES:

1. POLE TRANSFORMER BASES AND PEDESTAL ADAPTERS ARE MADE TO CUSTOMER'S SPECIFICATIONS
2. MATERIAL IS 44,000 PSI MINIMUM YIELD STEEL
3. A325 HDG BOLT ASSEMBLY IS PROVIDED FOR TOP PLATE (POLE MOUNTING PLATE) ONLY
4. STANDARD FINISH IS HOT-DIP GALVANIZED

MODEL:

TB

DRAWN BY:

CGT

DATE:

06/28/04

SCALE:

NTS