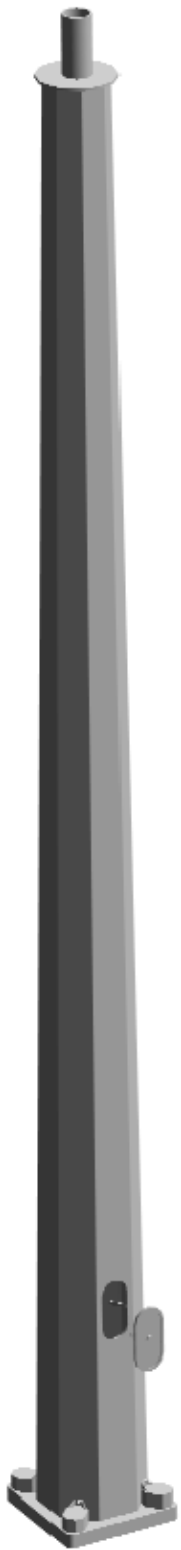


TOS series

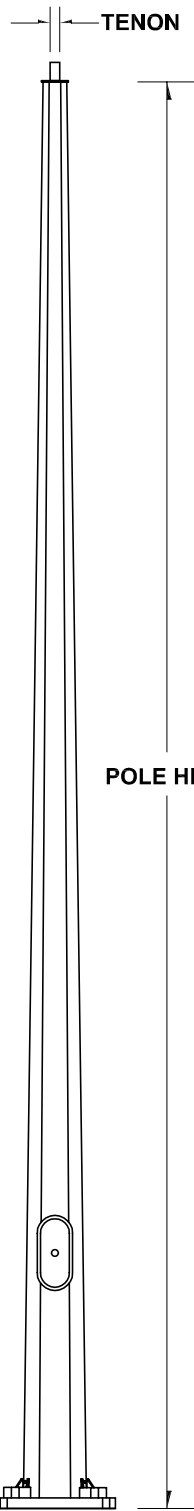
tapered octagonal steel

TECHNICAL DETAILS

POLE TOP FINISHING OPTIONS

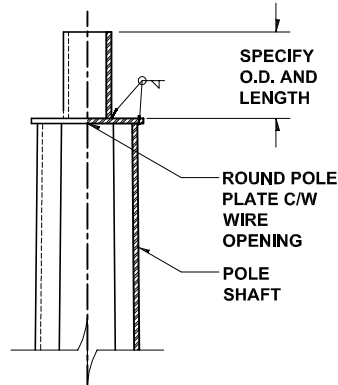


TENON



POLE HEIGHT

ELEVATION

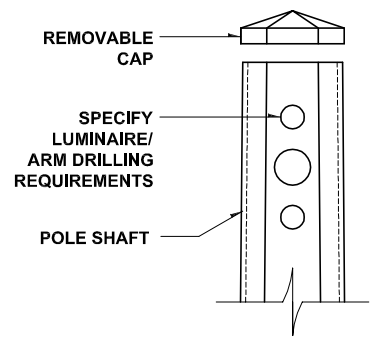


TENON DETAIL

SPECIFY
O.D. AND
LENGTH

ROUND POLE
PLATE C/W
WIRE
OPENING

POLE
SHAFT

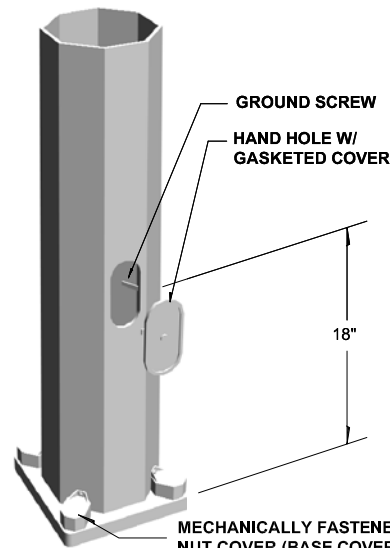


REMOVABLE
CAP

SPECIFY
LUMINAIRE/
ARM DRILLING
REQUIREMENTS

POLE SHAFT

DRILLING DETAIL



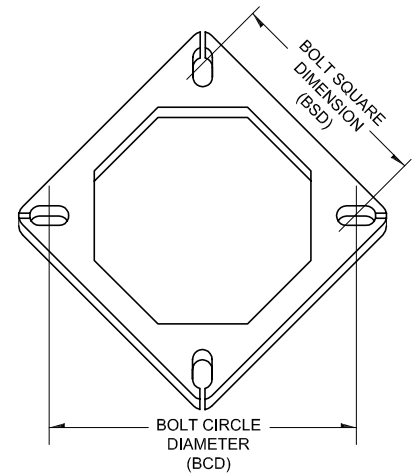
GROUND SCREW

HAND HOLE W/
GASKETED COVER

18"

MECHANICALLY FASTENED
NUT COVER (BASE COVER
AVAILABLE AS AN OPTION)

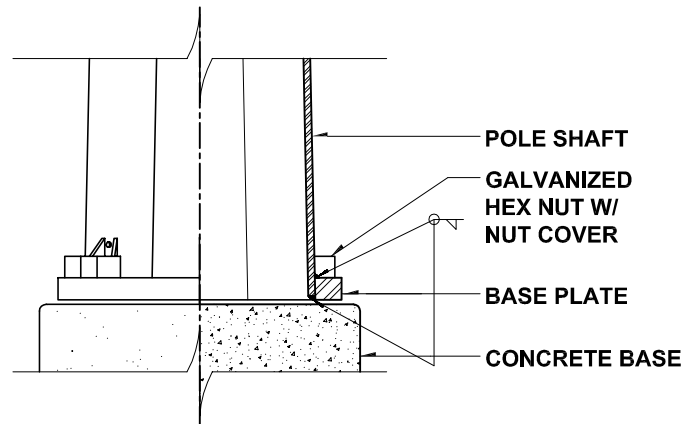
BASE DETAIL



BOLT SQUARE
DIMENSION
(BSD)

BOLT CIRCLE
DIAMETER
(BCD)

BASE PLATE DETAIL



POLE SHAFT

GALVANIZED
HEX NUT W/
NUT COVER

BASE PLATE

CONCRETE BASE

BASE PLATE WELD DETAIL



DYNAPOLE

www.dynapole.com

2425 Lucknow Drive, Mississauga ON L5S 1H1 Canada

Tel. (905) 671-1507 Fax (905) 671-4606 Toll-Free 1-877-DYNAPOLE

DRAWING TITLE:

TAPERED OCTAGONAL STEEL

MODEL:

TOS

DRAWN BY:

CGT

DATE:

06/28/04

SCALE:

NTS

NOTES:

MATERIAL: STEEL

SHAFT: 50 000 PSI MIN. YIELD

BASE PLATE: 44 000 PSI MIN. YIELD