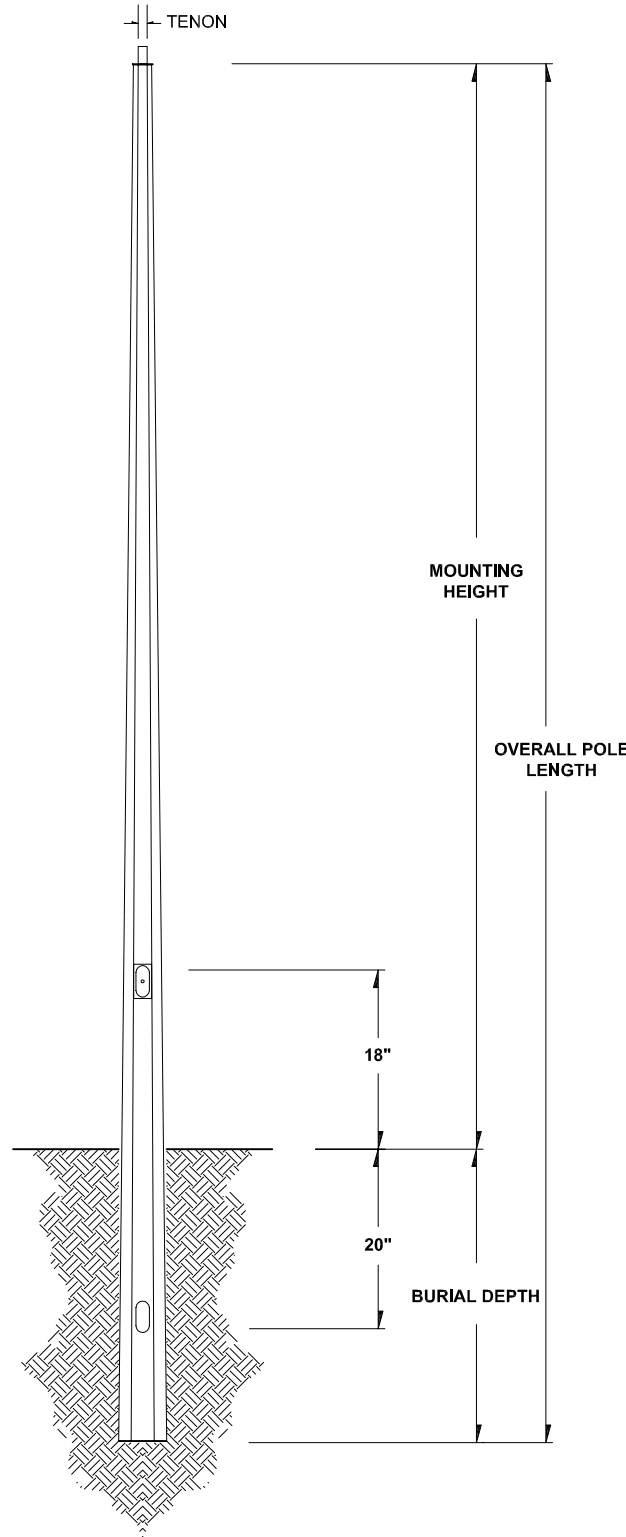
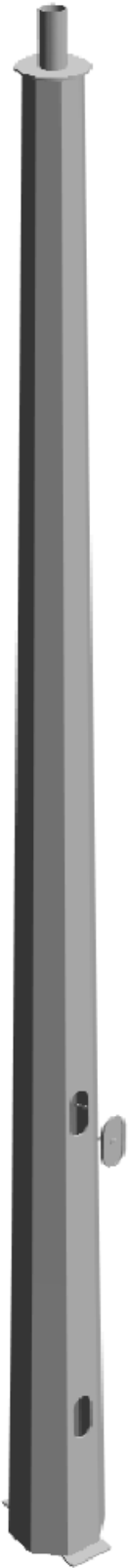


# TOS-DB series

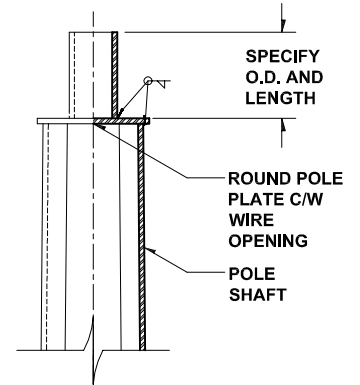
tapered octagonal steel

## TECHNICAL DETAILS

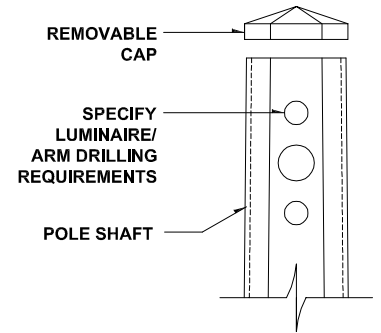
## POLE TOP FINISHING OPTIONS



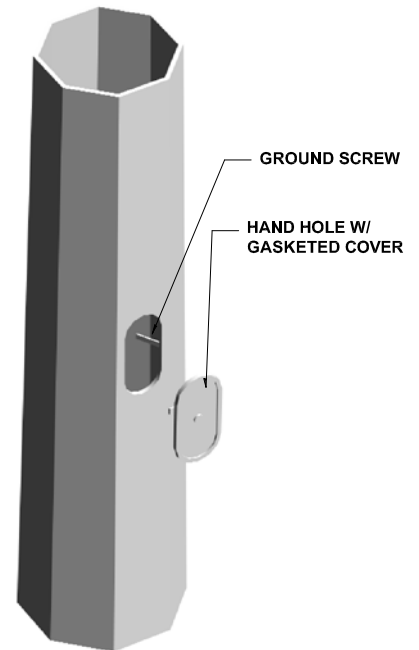
ELEVATION



TENON DETAIL



DRILLING DETAIL



HAND HOLE DETAIL



**DYNAPOLE**

www.dynapole.com

2425 Lucknow Drive, Mississauga ON L5S 1H1 Canada

Tel. (905) 671-1507 Fax (905) 671-4606 Toll-Free 1-877-DYNAPOLE

DRAWING TITLE:

TAPERED OCTAGONAL STEEL  
DIRECT BURIAL

NOTES: MATERIAL: STEEL  
SHAFT: 50 000 PSI MIN. YIELD

MODEL:

TOS-DB

DRAWN BY:

CGT

DATE:

06/28/04

SCALE:

NTS